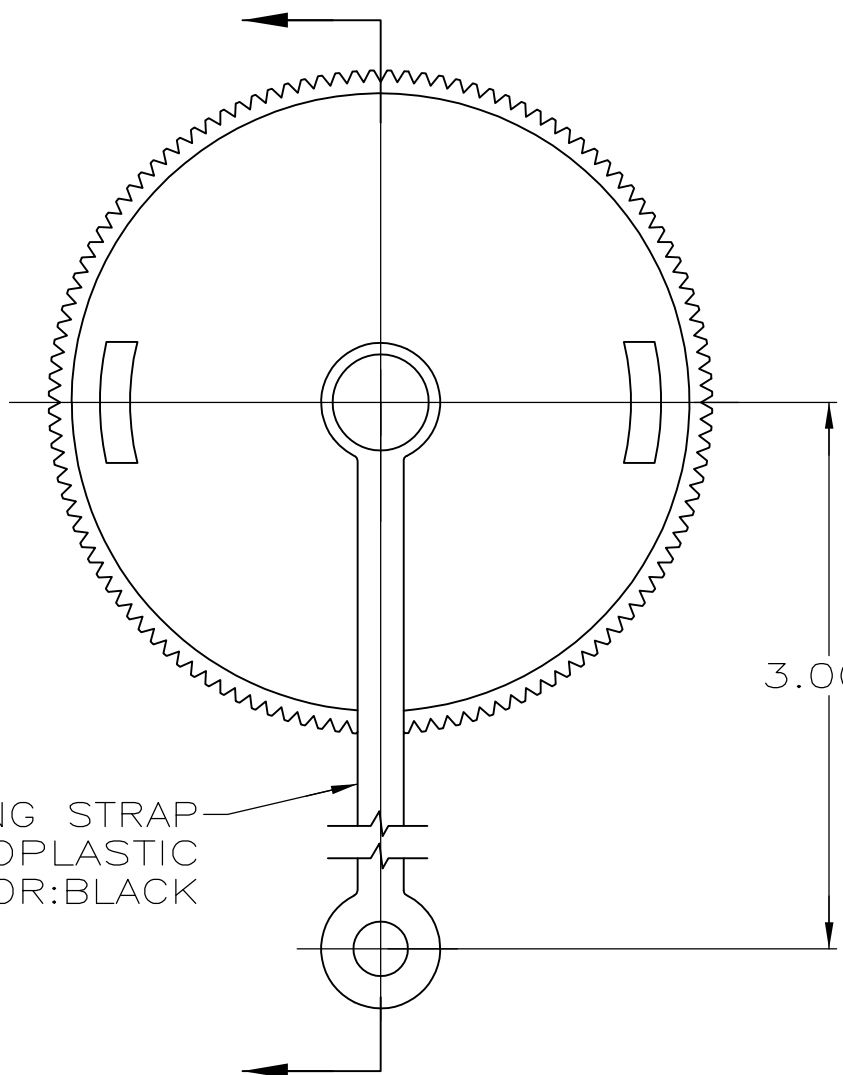


THIS DRAWING IS UNPUBLISHED. RELEASED FOR PUBLICATION  
 © COPYRIGHT BY TYCO ELECTRONICS CORPORATION. ALL INTERNATIONAL RIGHTS RESERVED.

LOC	DIST	REVISIONS					
BD	35	P	LTR	DESCRIPTION	DATE	DWN	APVD
		G1		REVISED PER ECO-08-022750	17SEP08	HMR	BC

- 1 FINISH: ZINC PLATE WITH CLEAR CHROMATE
- 2 FINISH: ZINC PLATE WITH NON-HEXAVALENT CHROMATE



MOUNTING STRAP  
 MATERIAL: THERMOPLASTIC  
 COLOR: BLACK

MATERIAL: CARBON

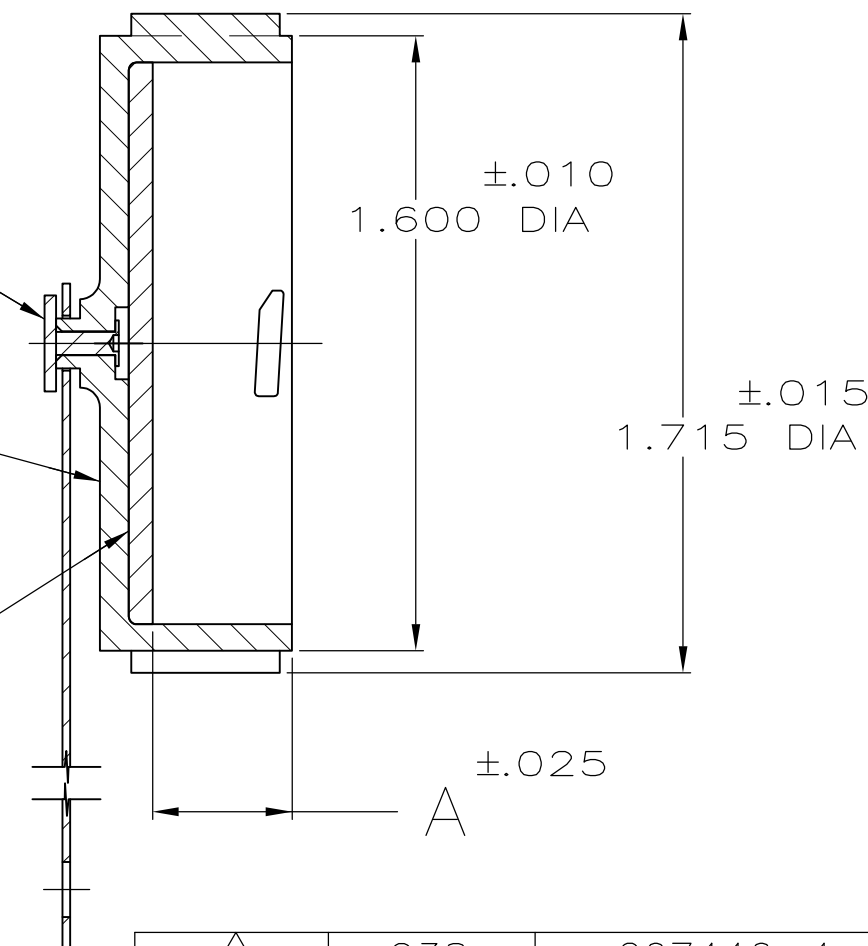


RIVET  
 MATERIAL: STEEL

SEALING CAP  
 MATERIAL: THERMOPLASTIC  
 COLOR: BLACK

SEALING GASKET  
 MATERIAL: ELASTOMER  
 COLOR: BLACK

3.000 ± 0.030



2	.238	207446-4
2	.363	207446-3
1	.238	207446-2
1	.363	207446-1
FINISH	A	PART NUMBER

THIS DRAWING IS A CONTROLLED DOCUMENT.		DWN S.RIDGLEY BG 8/1/90	Tyco Electronics Corporation Harrisburg, PA 17105-3608	
DIMENSIONS: INCHES		CHK R.STONE 4-26-91	NAME	
TOLERANCES UNLESS OTHERWISE SPECIFIED:		APVD K.BEAVER 4-30-91	PRODUCT SPEC	
0 PLC ± -		APPLICATION SPEC		
1 PLC ± -		SEALING CAP ASSY, SIZE 23, CPC		
2 PLC ± -		SIZE A3	CAGE CODE 00779	DRAWING NO C-207446
3 PLC ± .005		RESTRICTED TO		
4 PLC ± -		SCALE 2:1		
ANGLES ± -		SHEET 1 OF 1		
MATERIAL SEE CALLOUTS	FINISH SEE CALLOUTS	WEIGHT -		REV G1
CUSTOMER DRAWING				